

Precautions

- Always unplug the Flat Panel Display before attaching it to the wall.
- The dbi mount is intended for mounting on flat surfaces such as walls with wood studs. Always use the appropriate hardware in sufficient quantities for the mounting surface. The makers of dbi mounts will not assume any responsibility for damage resulting from the use of improper mounting hardware.
- The intended mounting surface should be capable of supporting a weight of 4 times the weight of the Flat Panel Display and associated equipment. Reinforcement may be necessary to ensure this capability. If you are in doubt consult your dbi mount Dealer or a professional home theatre installation specialist.
- Have help available when you attempt to mount the Flat Panel Display to your Mounting System.
- DO NOT subject the unit or supporting structure to shock, vibration, movement or danger of impact which could result in damage to your Flat Panel Display or personal injury.
- DO NOT mount in direct sunlight, or near a heater, fireplace or air conditioner which could result in damage to your Flat Panel Display or increase the risk of fire.

dbi mounts

**Universal LCD/Plasma
TV Wall Mount 42" – 61"**



CAUTION: Failure to adhere to the precautions listed above may result in damage to your Flat Panel Display or injury to your person.

The dbi mounting bracket has been evaluated for use with a flat panel display weighing not more than 150 lbs / 68.04 kg (The CSA Test Weight was at 600 lbs), having a maximum screen size of 61 inches and having a maximum depth of 4 inches mounted on a vertical surface supported by three wood studs with 16 inch centers. Use with other products, optional accessories, surfaces not supported by wood studs, and/or mounting at any angle other than vertical may result in instability causing possible injury.

dbi mounts

Tel: (807) 468-8494
Made in Canada

dbi mounts Flat Panel Display

Installation Guide 42" – 61"

Introduction

For your safety, and for the protection of your Flat Panel Display screen, we recommend that you have your equipment and the dbi mount professionally installed. However, if you decide to install the system yourself, we recommend you read this guide thoroughly beforehand, making sure that you are familiar with the proper use, installation and safety precautions contained herein before proceeding with the installation. Please retain this guide for future reference.

dbi mounts will not be responsible for any damage or injury resulting from improper installation of this product.

Technical Features

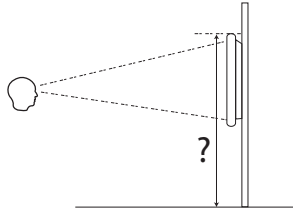
- Heavy-duty steel construction
- Special powder-coated finish for durability

Mounting Hardware for Universal LCDs/Plasmas for 42" – 61"

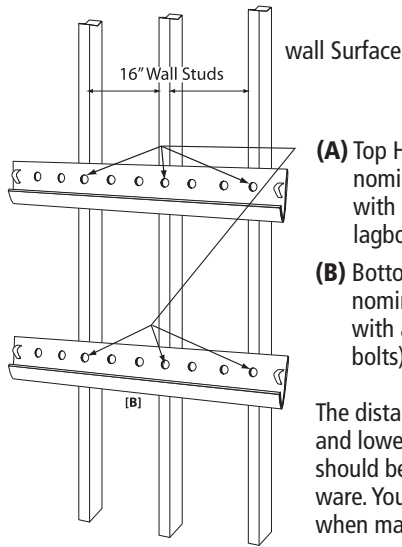
- 4 - 1/4" X 2" lag bolts
- 2 - 5/16" X 2 1/2" straight/roby head bolt
- 2 - 5/16" offset weld nut
- 8 - M4 X 16 mm
- 6 - M5 X 16 mm
- 6 - M6 X 16 mm
- 6 - M8 X 16 mm
- 8 - 5 mm washers
- 6 - 8 mm washers

Installation

Step 1 Determine viewing height of Flat panel Display on wall



Step 2 (A) Secure the top Horizontal Rail to the wall
(B) Secure the bottom Horizontal Rail to the wall



(A) Top Horizontal Rail is to be mounted to three nominal 2 x 4 inch wood studs spaced 16 inches with appropriate supplied mounting (1/4 x 2 inch lagbolts) hardware.

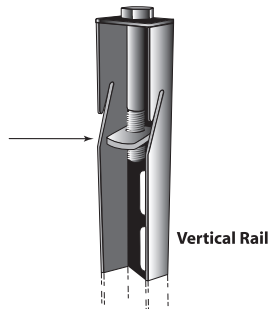
(B) Bottom Horizontal Rail is to be mounted to three nominal 2 x 4 inch wood studs spaced 16 inches with appropriate supplied mounting (1/4 x 2 inch lag bolts) hardware.

The distance between the mounting holes of the upper and lower Horizontal Rails should be 12 inches and it should be installed with the appropriate mounting hardware. You can also use the two vertical rails as a guide when marking the holes for the lower rail.

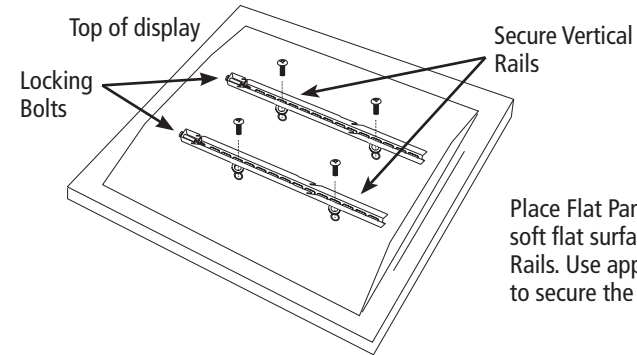
Step 3 Place the two Locking Bolts into the top of each Vertical Rail

Locking Bolt

The longer side of the Locking Nut must point towards the wall and must fit under the lip of the Horizontal Rail when the TV is installed.

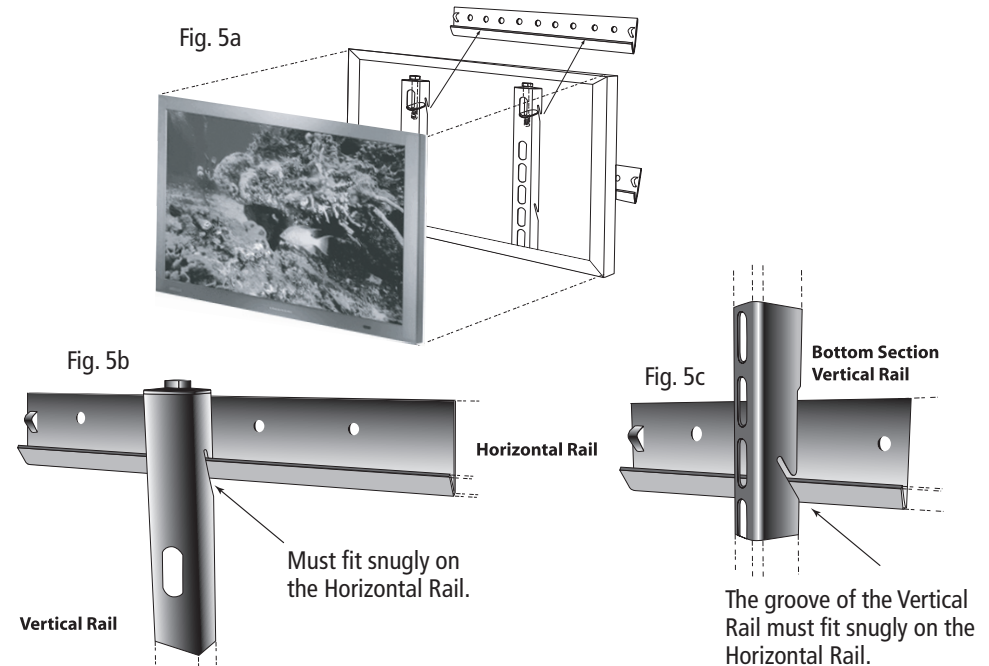


Step 4 Secure Vertical Rails to Flat Panels Display



Place Flat Panel Display face down on a soft flat surface before mounting Vertical Rails. Use appropriate hardware provided to secure the Vertical Rails.

Step 5 Hang the Flat Panel Display on to the Horizontal Rails (Fig. 5a) making sure that both Locking Nuts fit under the top Horizontal Rail (Fig.5b) and that the vertical rails fit snugly into the Horizontal Rails (Fig.5c)



Step 6 Secure the Locking Nut

Make sure that the Locking Nuts are under the Horizontal Rail then tighten the two bolts, but do not over tighten.

